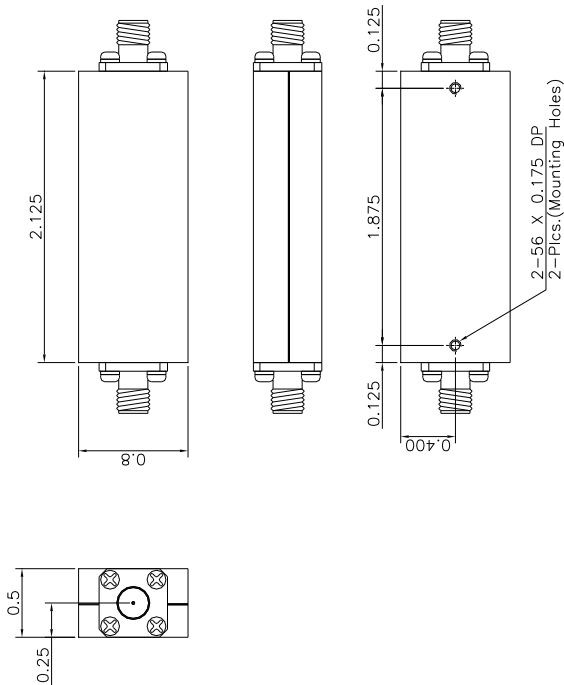


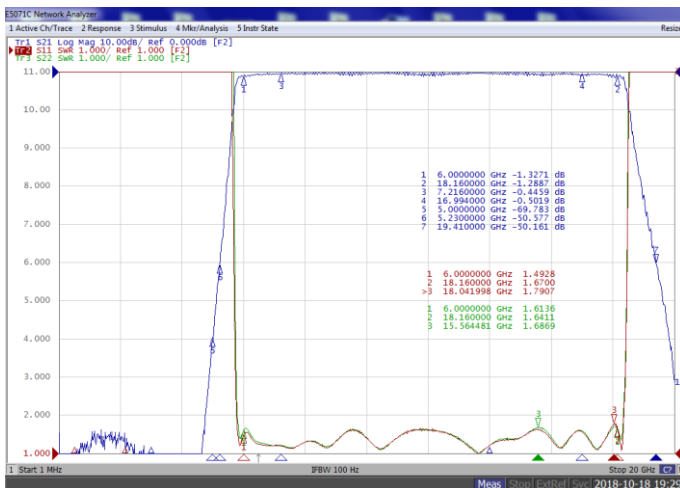
6000~18160MHz Band Pass Filter

Specification

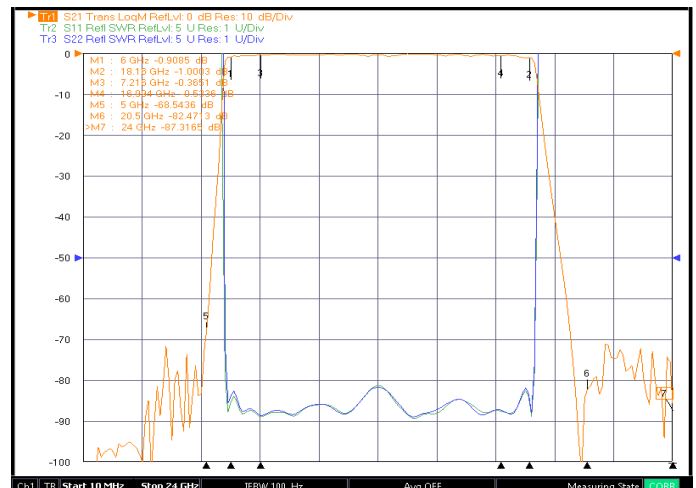


Items	Specification
Pass band Frequency	6000~18160MHz
Insertion Loss	1.0dB Max @ 7216~16994MHz 1.8dB Max @ 6000~18160MHz
VSWR	2 : 1
Rejection	60dB Min @ DC~5000MHz 60dB Min @ 20.5 ~ 24GHz
Connector	SMA
Impedance	50 Ω
Operating Temperature	-33°C ~ +65°C
Dimension (WxDxH)	2.125 X 0.8 X 0.5 in
Power Input	2W Max

Measurement Data



< Insertion Loss / Return Loss measurement >



< Insertion Loss / Return Loss measurement >